



EVERY HOME DESERVES A WARM HEART

CONGRATULATIONS

with your new Patio Heater from Le Feu Fires

Thank you for choosing Le Feu Fires. We hope your new Patio Heater will contribute to many pleasant moments.

Before you get started, it is highly important that you read and understand this entire user manual.

Le Feu Fires continuously work to ensure the highest product quality. We want to make sure that you have a safe and secure product experience at all times.

If you have any questions regarding the product after reading this user manual, please contact your local dealer, distributor or Le Feu technical support.

Make sure to handle your Patio Heater and fuels as described in this user manual, to avoid any accidents.

READ THIS MANUAL BEFORE USE !

We hope you will enjoy your new Le Feu product

Best Regards



Søren Lauritsen - CEO & Designer


JuMaTrading bv
P.O.Box69409
1060CL Amsterdam
TheNetherlands

Email: sales@designershotspot.com
Phone: +31854883582
www.designershotspot.com

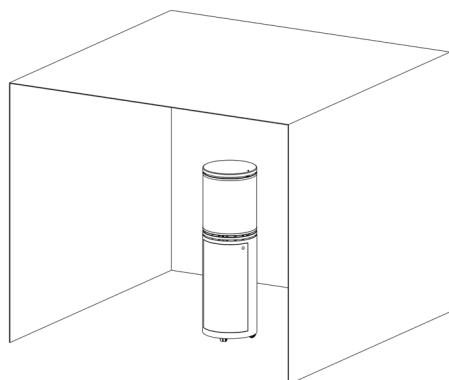
INDEX

ASSEMBLY AND USER INSTRUCTIONS	5
IMPORTANT SAFETY INSTRUCTIONS	6
SPECIFICATIONS	7
PACKAGE CONTENT	9
BATTERY	10
LEAK TEST	11
HOW TO TURN THE PATIO ON	11
LIGHTING INSTRUCTIONS	12
CARE & MAINTENANCE	13
TROUBLESHOOTING	14
WARRANTY	15


LE FEU PATIO - DATA SHEET

Manufacture	Le Feu By Lauritsen Aps	 NO XXX		
Adress	Algade 31, 4 sal - 9000 Aalborg - Denmark			
Application name	Le Feu Patio			
Model No.	820001			
Heat output	8,7 kW			
Gas Catagory	I3+(28-30/37)	I3B/P(30)	I3B/P(37)	I3B/P(50)
Types of gas	G30/G31	G30/G31	G30/G31	G30/G31
Gas pressure	Butane: 28-30 mbar propane: 37 mbar	30 mbar	37 mbar	50 mbar
Contry of destination	BE, CH, CY, CZ, ES, FR, GB, GR, IE, IT, LT, LU, LV, PT, SI, SK	AL, BG, CY, DK, EE, FI, FR, HU, HR, IS, IT, LT, LU, MT, MK, NL, NO, RO, SK, SI, SE, TR	PL	AT, CH, DE, SK
Burner injector	1,55 mm	1,45 mm	1,3 mm	
Gas consumption (g/h)	633,099 g/h			
This manual is for:	820001			
PIN NO. XXXXXXXX				
This application must be installed in accordance with the rules in force, and used only in a sufficiently ventilated space. Consult instructions before installation and use of this application				
WARNING: THIS APPLIANCE HAS A NAKED FLAME, A SUITABLE GUARD SHOULD BE USED FOR THE PROTECTION OF YOUNG CHILDREN, THE ELDERLY AND THE INFIRM.				

- Close the valve of the gas cylinder or the regulator after use.
- Read the instructions before using this appliance. For outdoor use only in well ventilated areas.
- The use of this appliance in enclosed areas can be dangerous and is PROHIBITED.
- The appliance must be installed in accordance with the instructions and local regulations.
- A well ventilated area must have a minimum of 25% of the surface area open. The surface area is the sum of the walls surface.
- This appliance is intended for decorative purposes.



ASSEMBLY AND USER INSTRUCTIONS

 **Before using this product, it is important that you follow the step-by-step instructions on the following pages.**

IMPORTANT: FOR OUTDOOR USE ONLY

1. Read the instructions before using the appliance.
2. Warning: Accessible parts may be very hot, keep away from young children.
3. Close the valve of the gas bulb or the regulator after use.
4. For use outdoors in well ventilated areas.
5. The use of this appliance in enclosed areas can be dangerous and is not permitted.
6. The appliance must be installed in accordance with the instructions manual and local regulation.

WARNING

1. Read the instructions before installation and use.
2. This appliance must be installed and the gas bulb stored in accordance with current regulations.
3. Do not obstruct the ventilation holes of the bulb housing.
4. Do not move the appliance when in operation.
5. Shut off the valve on the gas bulb or the regulator before moving the appliance.
6. The tubing or the flexible hose must be changed within prescribed intervals.
 - Use only the type of gas and the type of bulb specified by the manufacturer.
 - In case of strong wind precautions must be taken to avoid tilting of the appliance.
 - Keep the instructions for future reference.

IMPORTANT SAFETY INSTRUCTIONS

1. Please change the gas bulb in an amply ventilated area, away from any flammable objects.
2. Please check that the regulator seal is correctly fitted and functional.
3. Do not obstruct the ventilation holes of the bulb housing.
4. After use. Please close the gas supply at the valve of the gas cylinder or the regulator.
5. In case of a gas leakage, turn off the appliance instantly. The appliance should be examined and rectified before resuming use.
6. Please check the flexible hose at least once a month and every time the cylinder is changed. If it shows signs of cracking, splitting or other deterioration, it must be replaced with a new hose of similar length and quality.
7. Please check the tightness of the connections of the gas line supply, including gas cylinder valve/regulator, regulator/hose, hose/appliance gas inlet.
8. The appliance area must be kept clear and free from combustible materials, gasoline and other flammable vapors and liquids.
9. Do not use this appliance if any part has been under water. Immediately call a qualified service technician to inspect the appliance and replace any part of the control system and/or gas control that has been under water.
10. Both children and adults should be alerted to the hazards of high surface temperatures and keep adequate distance to avoid burning of clothes or skin.
11. Young children should be carefully supervised when near the appliance.
12. Clothing or other flammable materials should not be hung from, placed on or near the appliance.
13. Any protective device removed for service must be reinstalled before operating the appliance.
14. Installation and repair should be done by a qualified professional. The appliance should be inspected before use and at least annually by a qualified professional. Regular cleaning is required as needed. It is imperative that the control compartment, burners, and circulating air passageways of the appliance are kept clean.
15. DO NOT burn solid fuels in this appliance.
16. This outdoor gas appliance is intended for heating purposes.
17. This outdoor gas appliance is for **OUTDOOR USE ONLY**.
18. This outdoor gas appliance is not intended to be installed in/on recreational vehicles and boats.
19. This outdoor appliance is not for use on wood decks or other flammable surface.

20. Before each use of the appliance, open the door and/or the Gas Tank Drawer and inspect the hose. If there is sign of excessive abrasion, wear or if the hose is damaged, the hose and assembly must be replaced before resuming use. Use only the replacement hose assembly specified in this manual. Make sure to leak test.
21. Before each use of this gas appliance, inspect the burner. If the burner is damaged, replace prior to resuming use. Use only the replacement burner specified in this instruction.
22. Make sure to properly locate the gas hose including locating the hose out of pathways where people may trip over it or in areas where the hose may be subject to accidental damage.
23. Keep the fuel supply hose away from any heated surface.
24. Never use this appliance closer than 3 meters from anything flammable, including houses or overhead tree branches.
25. Never use gasoline, kerosene, or any other liquid fuel in this appliance.
26. Always maintain a safe distance to the appliance.
27. Always supervise children around the appliance.
28. Never leave the appliance unattended when in use.
29. The appliance is hot during and after use, always allow ample cooling time before touching or moving.

SPECIFICATIONS

The gas fire pit, with gas type I3+, is designed to fit with LP gas cylinder. Gas consumption, gas pressure and injector orifice size are listed in the table below.

GAS CONSUMPTION	GAS PRESSURE	INJECTOR ORIFICE SIZE
633,099 g/h	37 mbar	1.55 mm

DO NOT use this appliance with an adjustable regulator. We suggest you use this appliance with LP gas cylinder as listed below.

GAS CYLINDER DIMENSION D X H	GAS CYLINDER WEIGHT
30 x 39 cm	5 kg

1316 mm

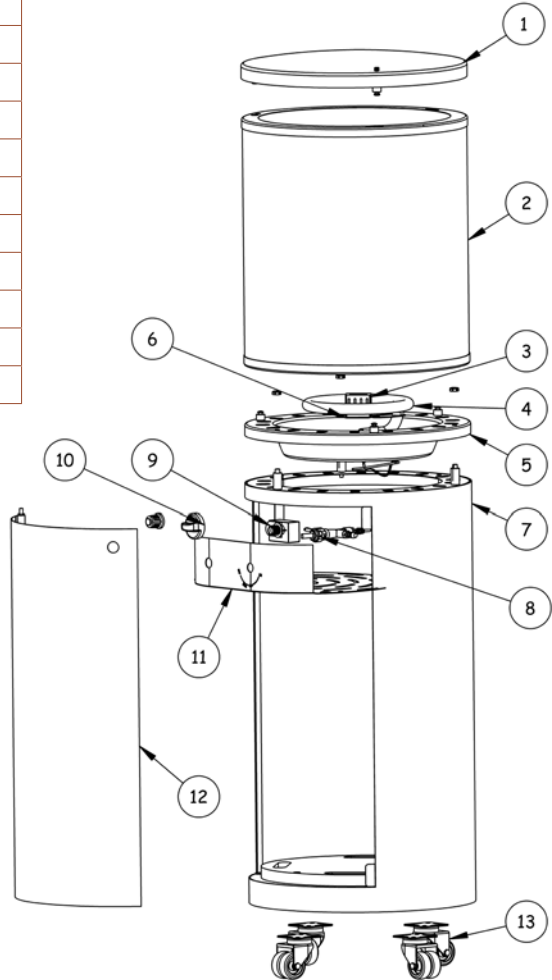
494 mm



Ø404

PACKAGE CONTENT

ITEM	DESCRIPTION	QTY
1	Top cover	1
2	Glass tube	1
3	Igniter cover	1
4	Fire tube	1
5	Igniter base plate	1
6	Igniter pin	1
7	Main body	1
8	Valve	1
9	Igniter	1
10	Handle	1
11	Control enclosure	1
12	Door	1
13	Wheel	4



BATTERY

Make sure the control knob is in the “OFF” position. To access the battery compartment, unscrew the push button cap on the ignitor module located on the control panel. The ignitor module requires one AAA size battery (figure 9), **battery is not included**.



WARNING

Please observe proper polarity and use the correct battery type when placing or replacing the battery. Improper installation could result in ignition failure.

Remove battery if product is left unused for a long period of time.

HOW TO TURN ON THE LE FEU PATIO

1. Make sure the control knob is in the “OFF” position.
2. Fully open LP cylinder valve.



3. Push in gas control knob, turn counterclockwise to “the high flame” and press the **RED** ignitor button to light the firepit. If needed, keep the control knob pressed and continue pressing the **RED** ignitor button until the fire pit lights (You should also hear a clicking sound)
4. After the fire pit lights, release control knob. To decrease the flame, turn the control knob clockwise to “The small flame”
5. **NOTE** - If the burner fails to remain lit, all valves should be closed. Wait a moment before repeating ignition procedure.

LEAK TEST

TO PREVENT FIRE OR EXPLOSION HAZARD WHEN TESTING FOR A LEAK

1. Always perform the leak test as described below before lighting this appliance or each time the gas bulb is connected for use.
2. Do not smoke or allow other sources of ignition in the area while conducting a leak test.
3. Conduct the leak test outdoors in a well-ventilated area.
4. Do not use matches, lighters or a flame to check for leaks.
5. Do not use this appliance until eventual leaks have been rectified. If you are unable to stop a leak, disconnect the propane supply. Call a gas appliance service shop or supplier.
6. The manufacturer disclaims any responsibility for any direct or indirect damage to persons, animals or objects caused by non-compliance with the guidelines in the operating and maintenance manual.

PERFORMING A LEAK TEST

1. Use 2-3 oz / 1 dl. mix of 1 pt. liquid dishwashing detergent and 3 pt. water.
Make sure control knob is "OFF".
2. Apply several drops of solution where the gas cylinder valve is attached to the regulator (figure 10). Inspect and look for bubbles. If **NO** bubbles appear, the connection is tight. If bubbles appear, the connection has a leakage. Disconnect the regulator, reconnect, perform another leak check. If you continue to see bubbles after several attempts, cylinder valve is defective and should be returned to the supplier of the cylinder.
3. Apply several drops of solution where hose attaches to appliance gas inlet (figure 11) and where the regulator attaches to the hose (figure 12). If **NO** bubbles appear, the connections are secure. If bubbles appear, the connection has a leakage. Disconnect, reconnect, perform another leak check. If the bubbles continue to appear after several attempts, the part is defective and needs to be replaced.

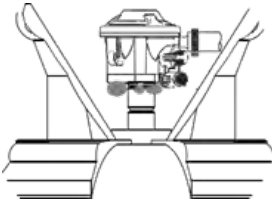


figure 10
Gas cylinder valve/Regulator
connection

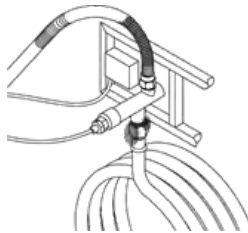


figure 11
Hose/Appliance gas inlet
connection

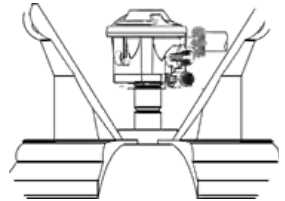


figure 12
Regulator/Hose
connection

LIGHTING INSTRUCTIONS

1. Push in gas control knob slightly and turn to “**OFF**”.
2. Turn gas control knob to “**HIGH**”.
3. Push in gas control knob all the way and hold. continue to press the ignition button for 15 seconds.
4. If the burner does not light in 15 seconds, release the knob and it will pop back out. Wait 5 minutes before attempting to light the burner again, repeat step 1 to 3.

TURN OFF GAS

1. Push in gas control knob slightly and turn to “**OFF**”.



WARNING

For your safety, read and follow the lighting instructions in this manual and in the rating plate on the appliance. Improper lighting procedure may cause fire or explosion hazard resulting in serious material or human damage.

OBSERVE FLAME HEIGHT WHEN LIT

The burner will display blue and yellow flames. The flames should be a blue/yellow color between 15-20 in/25-38 cm height, (figure 13). These flames should not be yellow or produce thick smoke. This indicates an obstruction of airflow through the burners.

The flames should be blue with straight yellow tops.

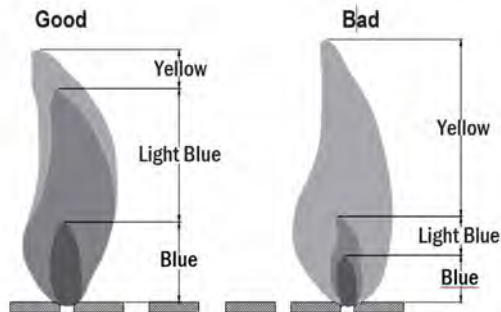


figure 13

CARE & MAINTENANCE

TO ENJOY THE OUTSTANDING PERFORMANCE OF YOUR FIRE PIT, MAKE SURE YOU PERFORM THE FOLLOWING ACTIVITIES ON A REGULAR BASIS:

1. Use warm soapy water for cleaning. Never use flammable or corrosive cleaning detergents.
2. While cleaning the fire pit, make sure to keep the area around the burner dry at all times.
DO NOT submerge the control valve assembly or gas control in water. This will damage the mechanisms and they will need to be replaced.
3. Air flow must be unobstructed. Keep controls, burner, and circulating air passageways clean. Signs of possible blockage include:
 - 3.1 Gas odor and extreme yellow tipping of flame.
 - 3.2 Fire pit does **NOT** reach the desired temperature.
 - 3.3 Fire pit flame is excessively uneven.
 - 3.4 Fire pit makes popping noises.
4. Spiders and insects can nest in burner or orifice. This can damage the fire pit and make it unsafe for use. Clean burner holes by using a heavy-duty pipe clearer. Compressed air may help clear away small particles.
5. Carbon deposits may create risk of fire hazard. Clean burner with warm soapy water in case carbon deposits has developed.

 **Please note: Always allow fire pit to cool completely before covering with an outdoor weather cover. Likewise prior to service and maintenance.**

TROUBLESHOOTING

PROBLEM	POSSIBLE CAUSE	CORRECTIVE ACTION
The burner will not ignite	Gas cylinder is frozen	Wait until gas cylinder warms up and is free from frost
	An opening is blocked	Clear the blockage
	Control knob is not in "ON" position	Turn the control knob to "ON" position
The burner flame is too low	The gas pressure is low	Turn the cylinder valve off and replace the cylinder
	The outdoor temperature is less than 40°F/4.5°C and the cylinder is less than 1/4 full.	Use a full gas cylinder
		Check the burner ports for blockage
Carbon build-up and/or thick black smoke is present	There is dirt or film on the reflector and burner screen	Clean the reflector and burner screen
	The burner is blocked	Remove any blockage, and clean the burner inside and outside

WARRANTY

FIREPITS

Burner, steel fire pit bowl, all mechanical parts and fittings to control panel and burner assembly, and all fire pit tops that are not cast aluminum are warranted against defects in materials and/or workmanship for a period of two (2) year from original date of purchase. Rust is not covered.

FRAMES

Frames are warranted to be free from defects in materials and workmanship for a period of one (1) year. Damage to frames or welds due to improper assembly or exposure to water and sub-freezing temperatures is not covered. Breakage that is a result of product being dropped or other force majeure events are not covered.

FINISH

The finish is warranted against peeling, cracking or blistering for a period of one (1) year provided the product has not been scratched or abraded. Scratches and chips resulting from normal wear and tear are not covered. Fading from exposure to elements, e.g. sunlight, is not covered. Stains as a result of chemical spills and food items are not covered.

TABLE TOPS

All table tops are warranted against defects in material and/or workmanship for a period of one (1) year from original date of purchase. Breakage, discoloration, staining, and/or any other weather related issues are not covered.

WARRANTY EXCLUSIONS

Failure caused by unreasonable or abusive use. Firepits sold as clearance items, display models or items purchased in an "as is" condition, freight damage, firepit damaged by acts of nature, vandalism, fire, abuse, lack of proper care and maintenance or improper assembly. Straps and normal fading or discoloration from exposure to elements, oils, spills, fluids or chemicals. Table top against breakage; hardware against corrosion or rusting. Buckling or splitting of tubing resulting from exposure to water and freezing temperatures. Glass table tops, purchased or replacement parts. Plastics. Also excluded. Loss of use of time and or inconvenience, money, travel, packaging or any other consequential or incidental damages. In no event shall Le Feu Fires' responsibility exceed the value of the replacement product. Warranty is to the original purchaser when items are purchased from one of our authorized retailers and is not transferable.

